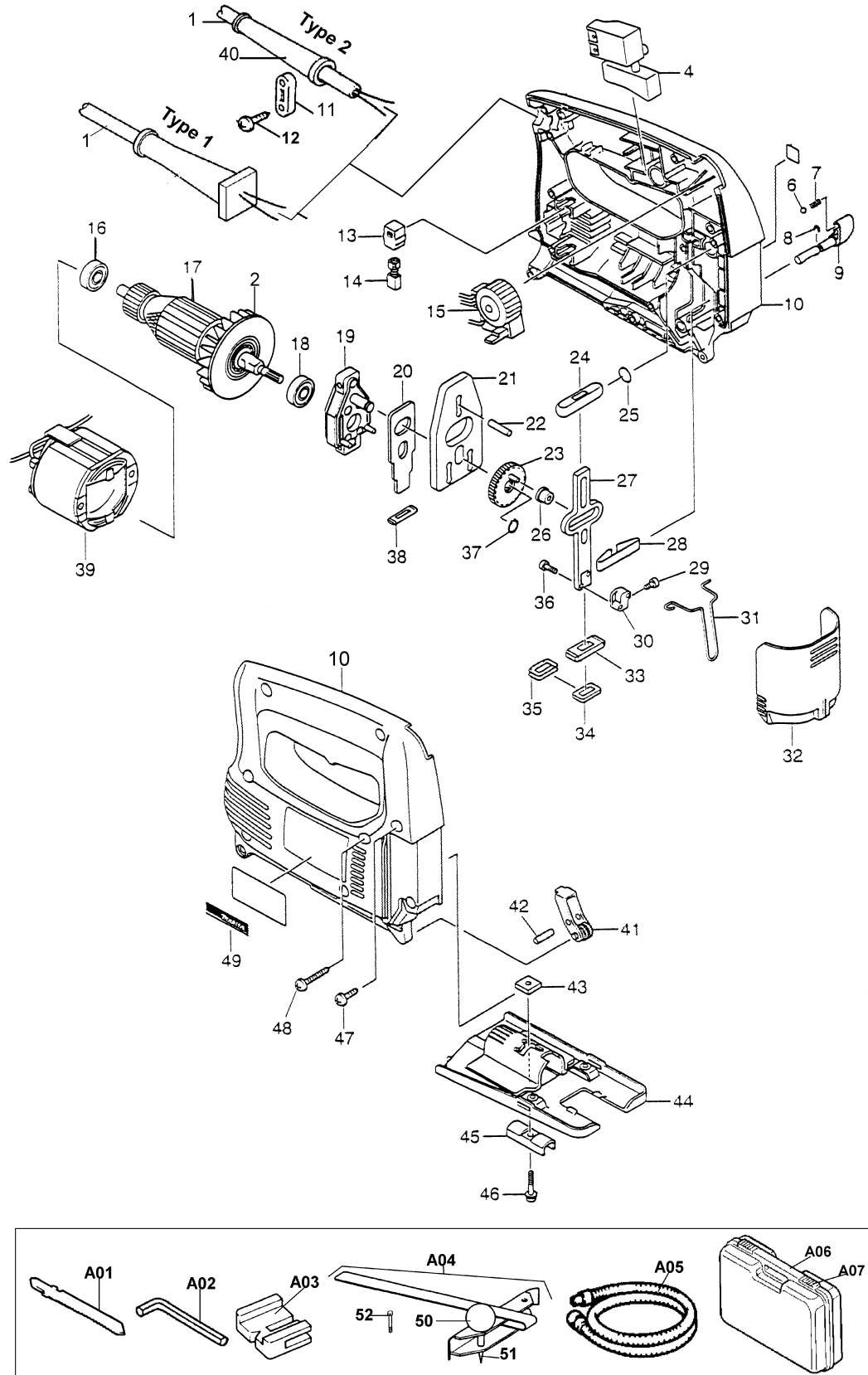




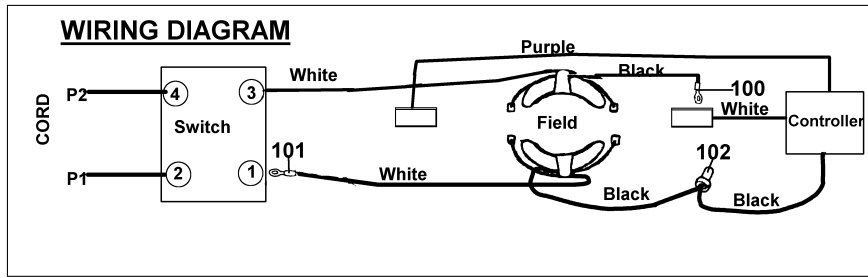
11/16" ORBITAL JIG SAW V.S.

Model 4324 (MJ)

Model 4324K (MJ, MCC)



WIRING DIAGRAM



Item No.	Part No.	No. Used	Description	Item No.	Part No.	No. Used	Description
1	664424-0	1	Cord Com. 2P-18-2.0M (Type 1)	32	416476-5	1	Dust Cover
	664013-1	1	Cord With Plug 2P-18-2.5M (Type 2)	33	313086-8	1	Slider Support
2	241881-5	1	Fan 52	34	423307-1	1	Poly Urethane Sponge Seal
4	651286-5	1	Switch	35	344686-3	1	Seal Plate
6	216008-6	1	Steel Ball 4	36	266177-3	2	Hex Socket Head Bolt M3X10
7	233151-6	1	Compression Spring 4	37	961002-0	1	Retaining Ring S-6
8	961011-9	1	Stop Ring E-4	38	416703-0	1	Dust Seal
9	272239-7	1	Lever 18	39	633406-3	1	Field
10	183051-9	1	Housing Set (Includes 2X263002-9 - Rubber Pin 4 & Item 49)	40	682502-4	1	Cord Guard 8X85 (Type 2)
11	687063-9	1	Strain Relief (Type 2)	41	152601-1	1	Retainer Com.
12	265995-6	2	Tapping Screw 4X18 (Type 2)	42	256117-9	1	Pin 4
13	643552-4	2	Brush Holder 5-8 (Type 1)	43	343540-8	1	Holder
	643562-1	2	Brush Holder (Type 2)	44	163397-9	1	Base
14	191956-9	2	Carbon Brush CB-75 (2pcs/Set)	45	344685-5	1	Clamp Com.
15	631265-9	1	Controller 100-220V	46	922128-3	1	Hex Socket Head Bolt M4X16
16	210025-8	1	Ball Bearing 627LLB	47	265995-6	9	Tapping Screw 4X18
17	517266-0	1	Armature Assy 115V (Includes Items 2, 16 & 18)	48	266053-1	1	Tapping Screw 4X35
18	210005-4	1	Ball Bearing 608DDW	49	819063-3	1	Makita Label
19	152600-3	1	Bearing Case Com.	50	271601-3	1	Knob 20
20	344683-9	1	Push Plate	51	323802-0	1	Guide Pin
21	344614-8	1	Balance Plate	52	922102-1	1	Hex Socket Head Bolt M4X6
22	256254-9	1	Pin 3	Accessories			
23	153260-4	1	Gear Com.	A01	-----	1	Jig Saw Blade (See Catalogue for Details)
24	313082-6	1	Slider Guide	A02	783201-2	1	Hex Wrench 3
25	213038-8	2	O Ring 5	A03	416477-3	1	Kerf Board
26	257683-9	1	Collar Sleeve	A04	192732-4	1	Guide Rule Set (Includes Items 50 - 52)
27	344613-0	1	Slider	A05	192278-0	1	Hose 28-1.5
28	232183-0	1	Leaf Spring		192279-8	1	Hose 28-3.0
29	922107-1	1	Hex Socket Head Bolt M4X8	A06	824572-9	1	Plastic Carrying Case (Includes Item A07)
30	313083-4	1	Blade Clamp	A07	186347-7	2	Slide Latch Set (2pcs/Set)
31	323748-0	1	Safety Wire				

DUSTLESS SYSTEM

Model 4323 + A05 -----> connect to Makita Vacuums 420S*, 401*, 403* 404* & 406*

2 Model 4324
2 Model 4324K